

HAMMER MILL – HIGH SPEED MILL SERIES VL

## THE EASY USE, FLEXIBLE HAMMER MILL FOR LOW THROUGHPUT.

The Hammer Mill VL is the universal mill for coarse grinding in compound feed, as well as fine grinding, in pet food and aqua feed production. Further areas of application for this all-rounder include the grinding of chemical components, salts, spices, and natural products such as wood.

The VL Series comprises two sizes with a drive-power range between 15 and 45 kW.



### TECHNICAL DETAILS

- Strong welded-steel construction with symmetric design, allowing rotation in both directions
- Strong wear-resistant parts protect the grinding chamber and are easy to maintain
- Hardened swinging inlet flap with proximity switches to change direction of rotation
- Large hardened impact plates at both sides of the mill inlet area to ensure best grinding performance
- Catch-trap for foreign bodies inside the grinding chamber to protect the screens – easy to clean
- Dynamically balanced long-life rotor in special design, run down time < 6 minutes without brake
- Wide opening doors allow easy access to the grinding chamber
- 2-part sieve without frame, easily and quickly interchangeable
- Tested and certified in a shock-resistant and flame escape proof design up to 0.4 bar
- Grist spectrum can be varied by a frequency converter (FC) and the beater configuration

Tietjen high speed mills prove their worth operating 24 hours a day, 7 days a week – often in the harshest of environments. The reliability of our machines is legendary.

Mill Type	VL 2	VL 3
Grinding chamber diameter	700 mm	700 mm
Screen width	200 mm	272 mm
Grinding chamber area	0.3 m <sup>2</sup>	0.4 m <sup>2</sup>
Dimensions and Weights		
Length* (approx.)	1510 mm	1750 mm
Width (approx.)	900 mm	900 mm
Height (approx.)	970 mm	970 mm
Weight without motor	550 kg	700 kg
* depending on motor size		
<b>Drive 3000 1/min, 50 Hz (speed between 1800 and 3600 1/min (30 – 60 Hz))</b>		
Power range	18,5 kW	22 kW
	30 kW	37 kW
	22 kW	30 kW
	37 kW	45 kW

Smooth running large-chamber grinder at a noise level under load below 90 dB (A)

Common application 

ATEX category:  
II 3 D

Pressure shock  
resistance:  
0.4 bar

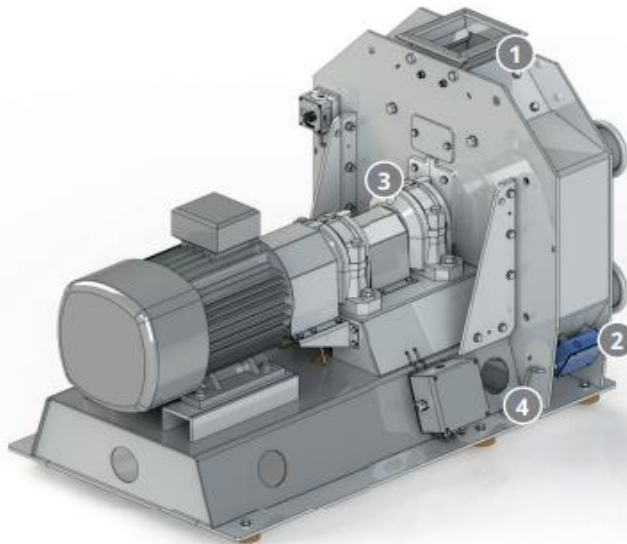
## STANDARD SUPPLY AND OPTIONS

### STANDARD SCOPE OF SUPPLY:

- Multi-layer coating: colour RAL 7032 (pebble grey) or RAL 9001 (cream)
- Pressure shock-resistant 0.4 bar and flame escape proof design
- Automatic door-locking system with stand still monitor
- Elastic pin coupling (N-Eupex) with protection hood
- Vibration dampers, height adjustable
- Sealing frame between the mill outlet and under hopper intake
- Electrical components pre-wired into terminal boxes
- Drive motor B3 with integrated PTC sensors
- 1 set of beaters (6mm) fitted on beater frames
- 2 sets of screens, one set pre-fitted in the mill
- 1 set of special tools

### OPTIONS:

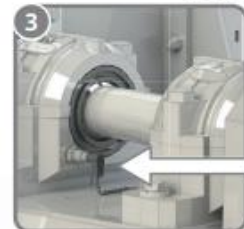
- Security package:
  - Bearing-temperature monitoring
  - Milling-chamber temperature monitor
  - Vacuum monitor for grinding chamber
- Electrical components suitable for installation in ATEX Zone 22 II 3D



Hardened impact plates



Catch-trap for foreign bodies



Bearing-temperature monitoring



Milling-chamber temperature monitor